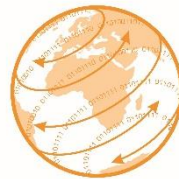


Import-Export Control eCertification

IMPLEMENTATION WORKSHOP

Paul Hardman

27th August 2019



Workshop Agenda

- Welcome
- Objective of the workshop
- Project progress
- eCert application
 - Web API – updates
 - Web API – Question & Answers session
 - Support
- eLOT Notice
 - Web API
 - Web API – Question & Answers session
 - Support
- Key dates
 - eLOT and eCert training sessions
- AOB
- Close



49 days to go!

Objective of workshop

- Provide a sense of the eCert project progress
- Prepare the fruit industry for going paperless
- Demonstration of system and collect further inputs
- Allow for questions and identify remaining issues
- Provide the plan for implementation



Project Progress

- What are the key building blocks to the whole system?
- At what stage of development are each of these building blocks?
- Focusing on fruit but some modules apply across all sectors.

Key components

User Authentication System (UAS)

Who

Central Business Register (CBR)

Agreements & Electronic Standards **Why**

What Requirements & Safeguards **How**

Fruit

Beef

Seed

eLOT Notice

PHC Quality

PHC Phyto

eINSPECT

PROCESSES

Where

Trade Unit Register (TUR)

When

eCERTIFICATION (using IPPC)

Project Progress

User Authentication System (UAS) **Deployed**

Central Business Register (CBR) **Deployed**

Agreements & Electronic Standards **Being populated by dev team & DAFF**

Requirements & Safeguards **Starting on Table Grape & Citrus Industry in Sept**

Fruit	Beef	Seed
-------	------	------

eLOT Notice **API released**

PHC Quality **API with PPECB in discussion**

PHC Phyto **API with PPECB in discussion**

eINSPECT

SANSOR process

Deployed – more communication today on how this works

Trade Unit Register (TUR)

Deployed – update in September

eCERTIFICATION (using IPPC)

Developed, being integrated
Final rules for Table Grape & Citrus Industry in Sept

Starting on Table Grape & Citrus Industry in Sept

Design started, begin dev in Sept

Timelines

- eCertification module
 - Update in August/September 2019 of API and user manual
 - Subject of discussion at stakeholder workshop.
- Agreements
 - Integration across the different modules (system development) – completed early-September
 - Population of agreements – ongoing (see update later in presentation)
 - Publishing of agreements in PDF – 3rd week in September
- Standards
 - Most Standards populated – except for some business rules standards (e.g. reason for rejections), ongoing.
 - API access to standards – 1st week in October
 - Agreements x standards - will have to use Agreement PDF for a while.
- Requirements
 - Requirements framework developed
 - Population of actual requirements per agreement – ongoing (see update later in presentation)
- Safeguards
 - Functionality to handle a range of safeguards designed
 - Implementation (basic) for table grape sector
 - Implementation (advanced) for citrus sector



Timelines

- Trade Unit Register (TUR)
 - User Guide published (& dev set up on 22nd Aug)
 - eLOT Notice User Guide published
 - Subject to discussion at stakeholder workshop
- eINSPECT
 - Started but will run through Sept/Oct 2019
 - Probably not ready for Table Grapes in October
 - Should be completed by November 2019
- PHC Quality and PHC Phyto TUR updates with PPECB
 - Start in Sept
 - In discussions with PPECB on timelines
 - What is the fall back option here?
- Training & change management



“Major” Timelines

- 15th Oct '19: Have table grapes use the eCertification tool for fruit to the Netherlands.
 - What about other markets?
- 15th Feb '20: Citrus industry using eLot, PHC Quality, PHC Phyto, eInspect & eCert modules.
 - EU or all markets?
- 1st April 2020: DAFF prints all phytosanitary certificates



eCertification

- Changes/Updates/Corrections since 30th July 2019
- Questions?



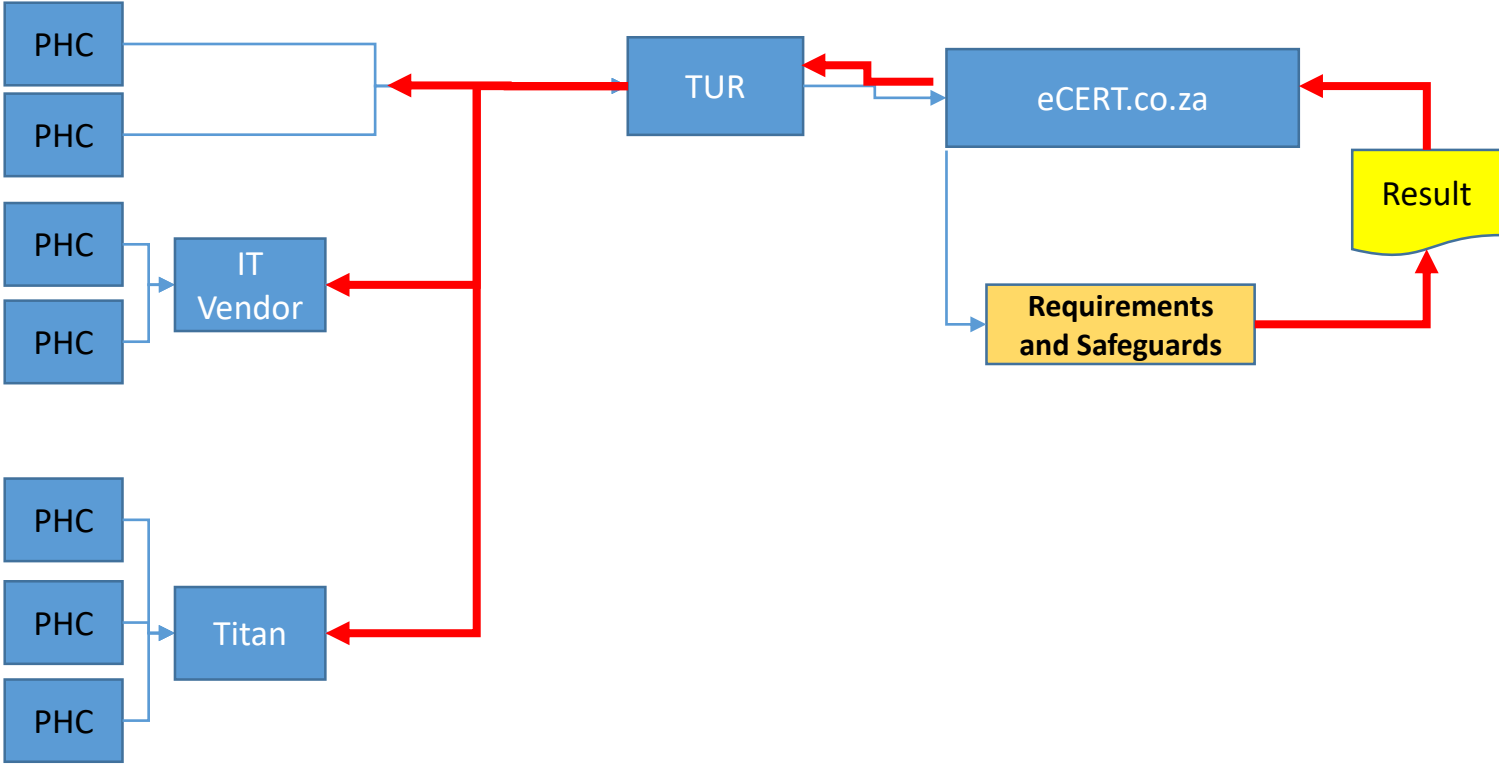
eLOT Notice

- Objective for today
 - Describe the process
 - Explain the inputs
 - Explain the outputs



eLOT Notice

For testing: <http://qa.tur.ecert.co.za/api/TradeUnit/eLotNotice>



eLOT Notice - Inputs

- Switch to Web API User Guide
- TU ID Range Secure – Mid-September
 - GS1 Check
 - Check for TU ID uniqueness
- Sector vs Industry



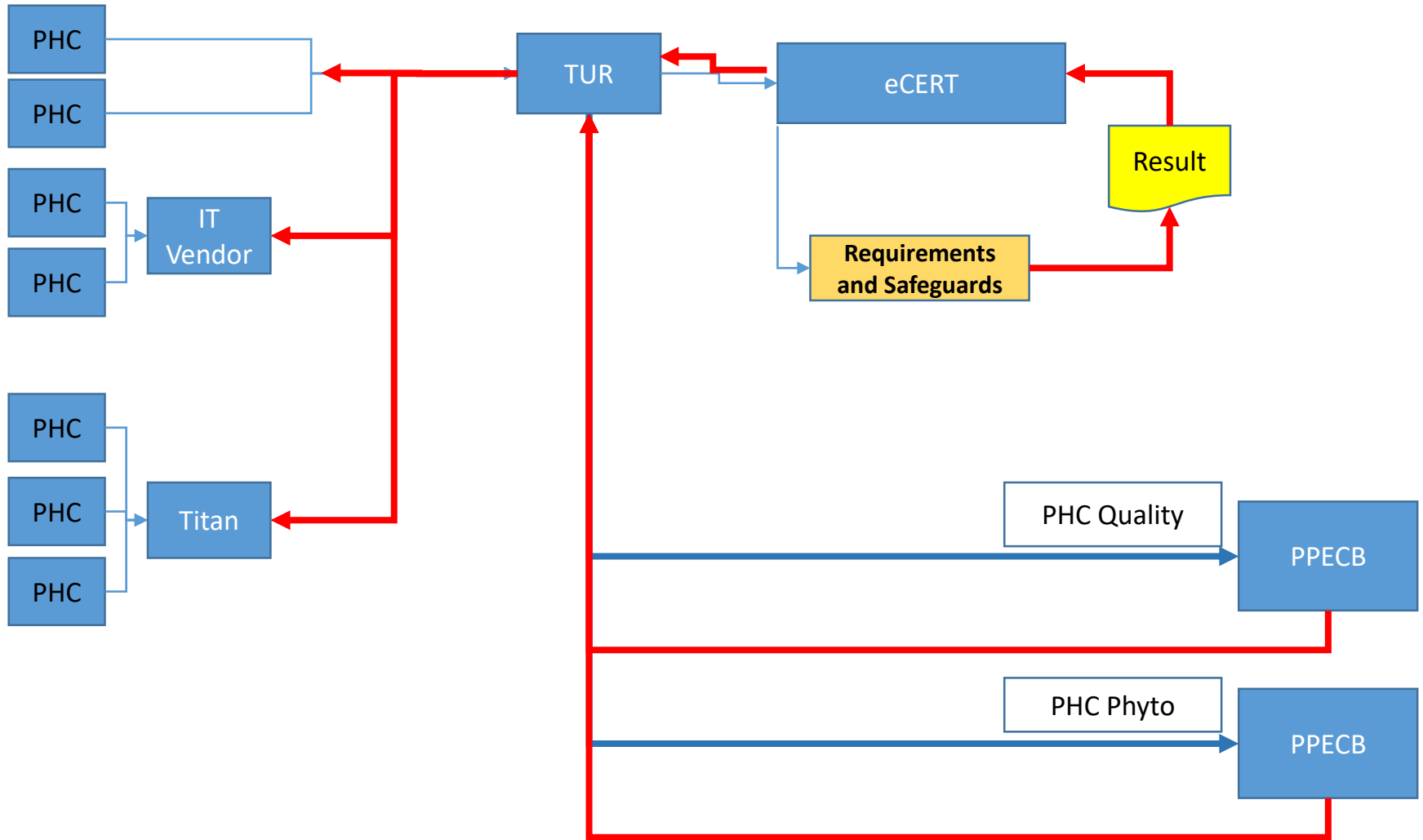
eLOT Notice - Output

- Switch to Web API User Guide

TU ID	Agreement	Process	Process Status	Process Result	Rejection Reasons	Ref 1	Ref 2	Verification-Key
12	AGM0 01	eLOT	Passed	{EUA1A1FY}	Null	Consign ment x	L2000	XY2042D
12	AGM0 01	PHC Quality	Passed	Null	Null	DDD	I202020	
12	AGM0 01	PHC Phyto	Failed	Null	{Array}	DDE	I202020	
12	AGM0 01	eINSPECT	Pending	{On-hold}	Null	X8998	KDDJLJD	FPT001
12	AGM0 01	eCert	Failed	Null	{PHC Phyto NONC, eINSPECT NONC}	DE12DF	2212DF	



PHC Quality & PHC Phyto Process



eINSPECT

- eINSPECT will use TU details
- This means the TU details must be correct



Training & Change Management

- User training to take place from mid-Sept, into October
- Focus is on Exporters, and Table Grape production areas
- DAFF training in Sept & October
- All dates to be finalized and published on final confirmation from DAFF.



Thank you

- Any question?

www.phytclean.co.za

