

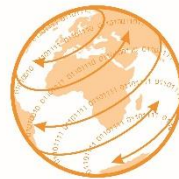
Import-Export Control eCertification

IMPLEMENTATION WORKSHOP

FSA & DAFF

26th September 2019

Stellenbosch



Workshop Agenda

- Welcome
- Objective of the workshop
- Project progress
 - Readiness for 15th October 2019 – Table Grapes
- eCert application
 - Web API – updated (V1.1)
 - Web API – Question & Answers session
- eINSPECT
- PHC Phyto
- PHC Quality
- eLOT Notice
 - Web API
 - Web API – Question & Answers session
- Agreements, Standards, Requirements and Safeguards
 - API for Standards
- Key dates
- AOB
- Close



19 days to go!

Objective of workshop

- Provide a sense of the eCert project progress
- Prepare the fruit industry for going paperless
- Demonstration of system and collect further inputs
- Allow for questions and identify remaining issues
- Provide the plan for implementation



Navigating the systems

- Landing page - www.ecert.co.za
- Systems, Guides, Support, etc.

Systems

User Registration (This is a universal login that will work on all systems: eCert, Phytclean, CBR...)

<https://app.ecert.co.za/Account/Register>

Central Business Registry

<https://cbr.ecert.co.za/>

Phytclean

<https://www.phytclean.co.za>

eInspect

Coming soon

eCert Application / System

<https://app.ecert.co.za/>

Key components

User Authentication System (UAS)

Who

Central Business Register (CBR)

Agreements & Electronic Standards **Why**

What Requirements & Safeguards **How**

Fruit

Beef

Seed

Where

eLOT Notice

PHC Quality

PHC Phyto

eINSPECT

PROCESSES

SANSOR process

Trade Unit Register (TUR)

When

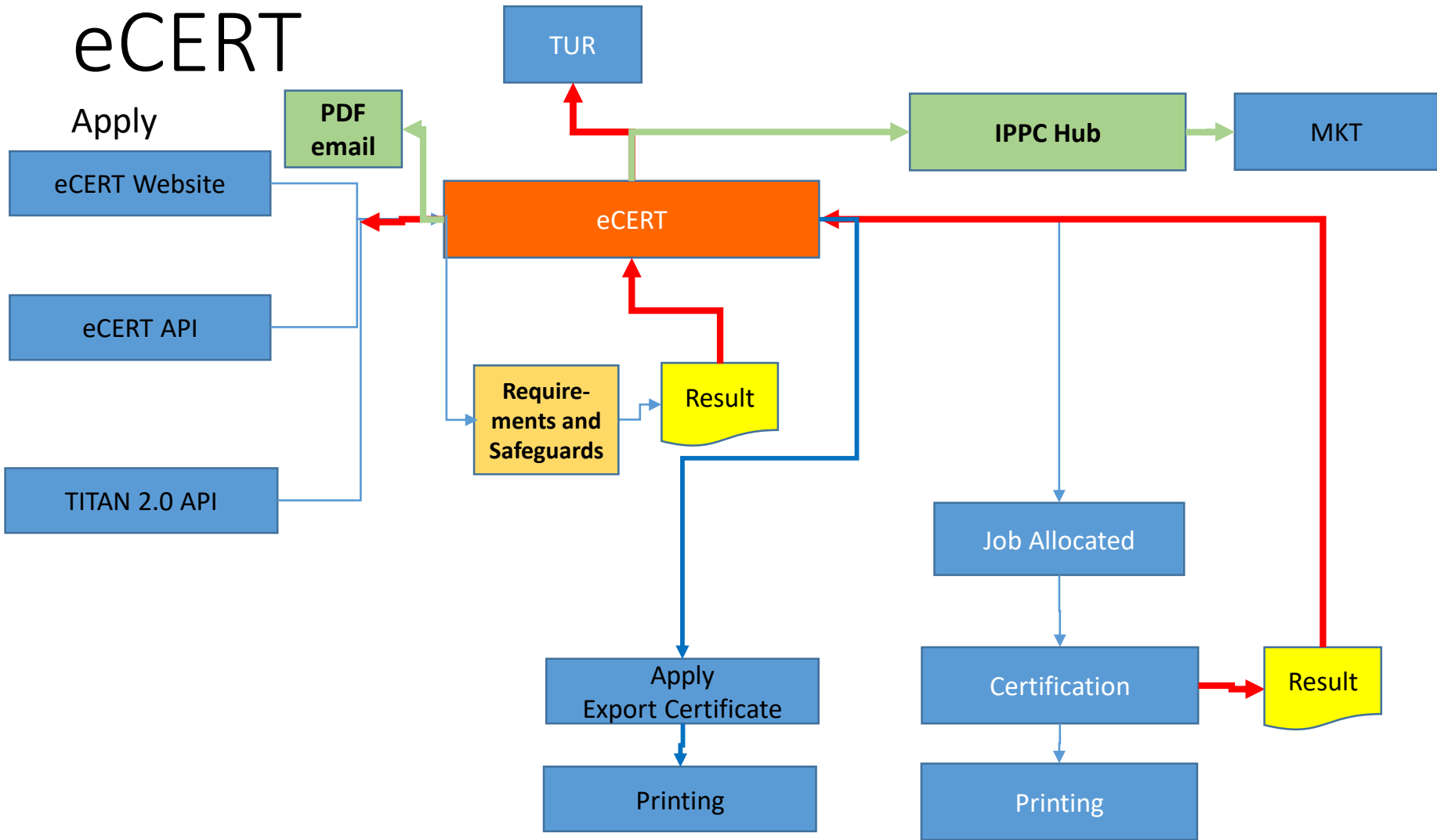
eCERTIFICATION (using IPPC)

Trade Unit Register (TUR) example

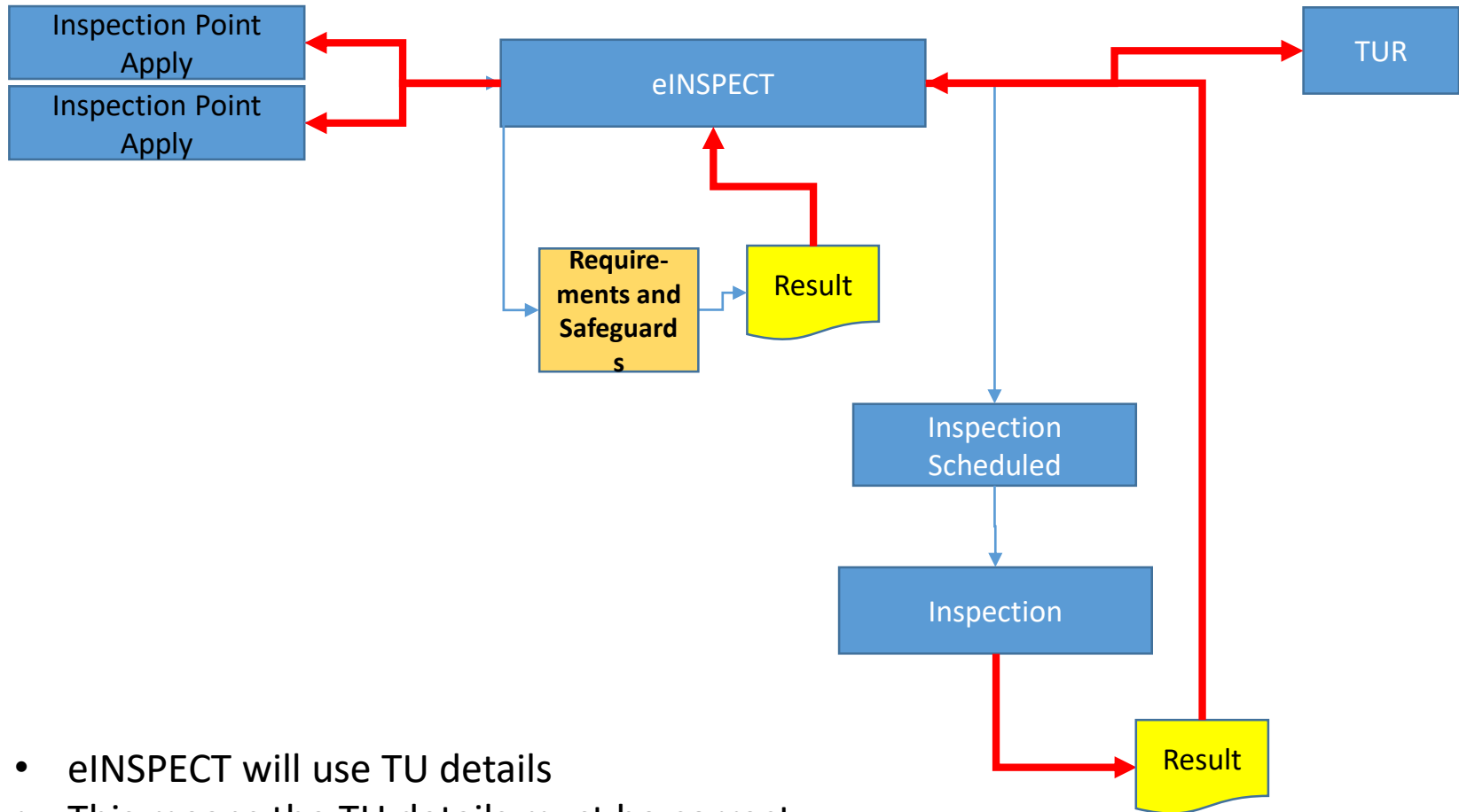
TU ID	Agreement	Process	Process Status	Process Result	Rejection Reasons	Ref 1	Ref 2	Verification-Key
12	AGM0 01	eLOT	Passed	{EUA1A1FY}	Null	Consign ment x	L2000	XY2042D
12	AGM0 01	PHC Quality	Passed	Null	Null	DDD	I202020	
12	AGM0 01	PHC Phyto	Failed	Null	{Array}	DDE	I202020	
12	AGM0 01	eINSPECT	Pending	{On-hold}	Null	X8998	KDDJLJD	FPT001
12	AGM0 01	eCert	Failed	Null	{PHC Phyto NONC, eINSPECT NONC}	DE12DF	2212DF	



eCERT



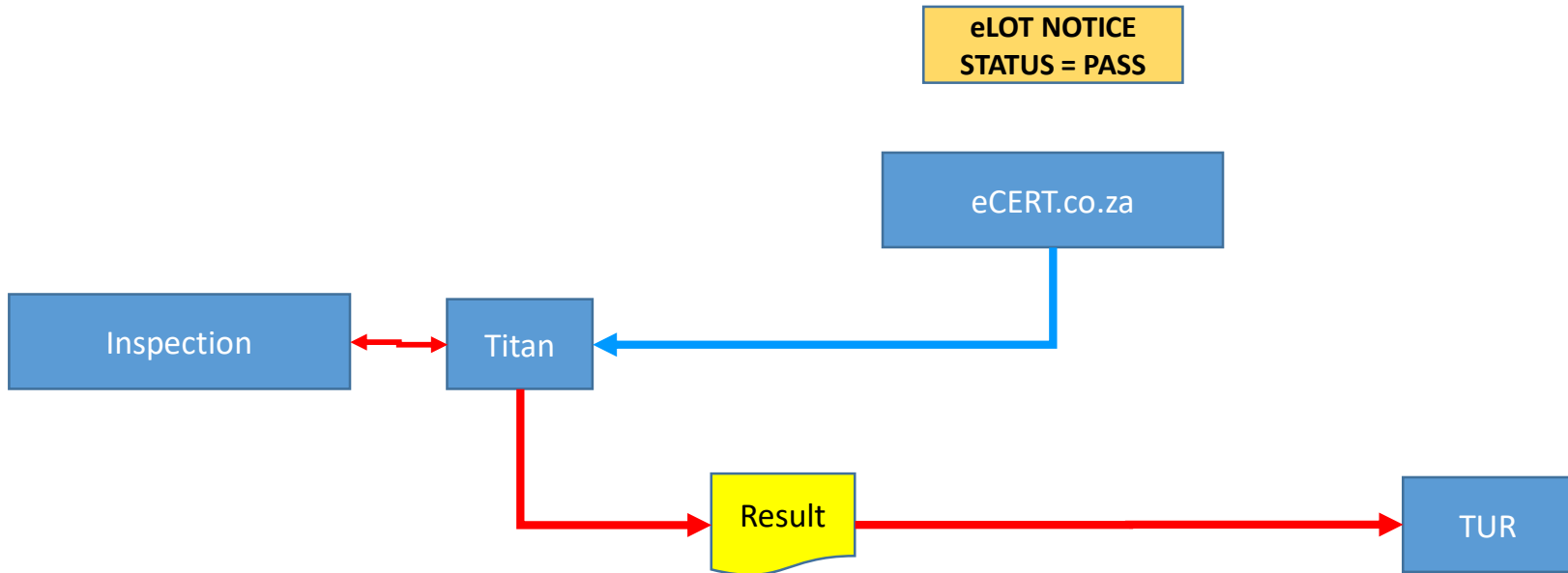
eINSPECT



- eINSPECT will use TU details
- This means the TU details must be correct
- eINSPECT still to be developed

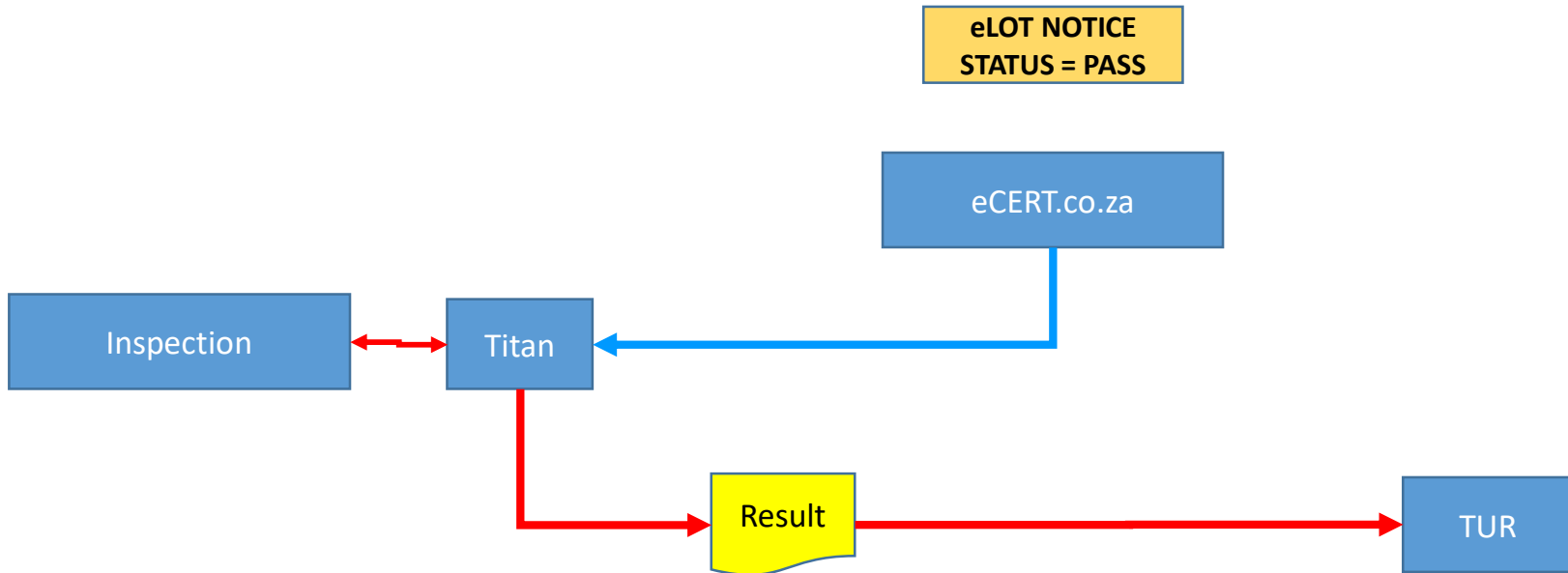
PHC Phyto

- Only involves eCERT and PPECB
- PPECB will update TUR with result

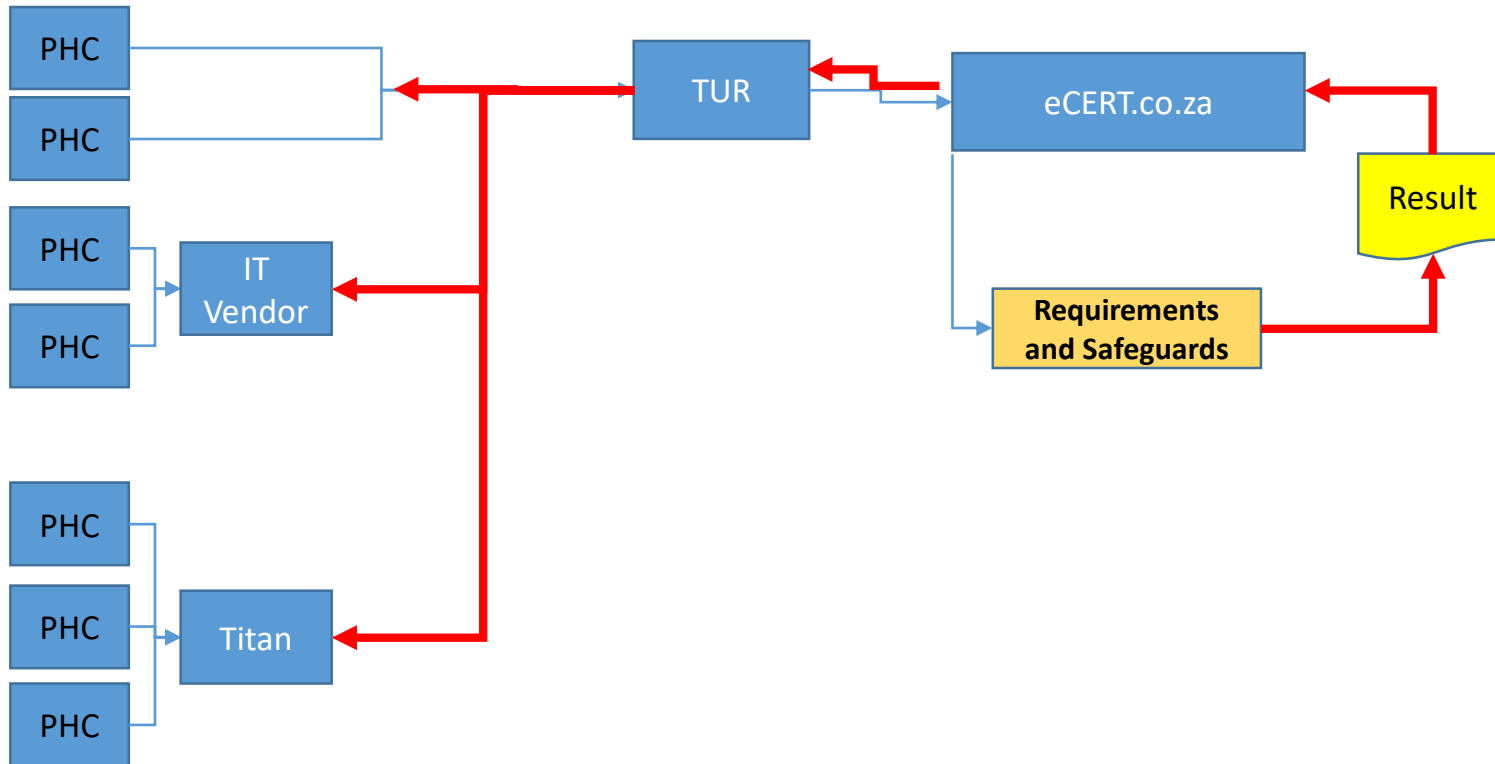


PHC Quality

- Only involves eCERT and PPECB
- PPECB will update TUR with result



eLOT Notice



- See eLOT NOTICE and TUR API Use Guide

Agreements, Standards, Requirements & Safeguards

- Short demo of Agreements
 - PDF Summary of Agreements
- Standards
 - Demo of Standards
 - Standards APIs
 - Relevant for clients
- Requirements & Safeguards
 - Summarized in Agreements PDF
 - Mostly not relevant for clients (for internal use)



Training & Change Management

- DAFF Inspector training began in September
 - 19th Sept in Durban
 - 26th Sept Cape Town
 - Planned: Pretoria/JHB in October
 - Training has been impacted by difficulties in eCERT launch date
- User Training days planned for October
 - Depends on DAFF Launch date
 - Depends on Titan 2.0 and eCERT implementation dates



Key dates: Implementation

- Table Grapes:
 - eCertification – 15th October (using Titan 2.0 1st Nov)
 - eLOT Notice – 1 February 2020
 - PHC Quality & PHC Phyto – 1 February 2020
 - eINSPECT – 30 November Phase 1
- Citrus:
 - eCertification – 15th Feb 2020
 - eINSPECT – 15th Feb 2020
 - PHC Quality – 15th Feb 2020
 - PHC Phyto – 15th Feb 2020
 - eLOT Notice – 15th Feb 2020



Key dates

- DAFF Inspector training began in September
 - 19th Sept in Durban
 - 26th Sept Cape Town
 - Planned: Pretoria/JHB in October
 - Training has been impacted by difficulties in eCERT launch date
- User Training days planned for October
 - Depends on DAFF Launch date
 - Depends on Titan 2.0 and eCERT implementation dates



Thank you

- Any question?

www.phytclean.co.za

